

MATERIAL:

CYLINDER : STEEL
OPERATING HEAD: BRASS HOT STAMPING

COATING:

CYLINDER: RED RAL 3000

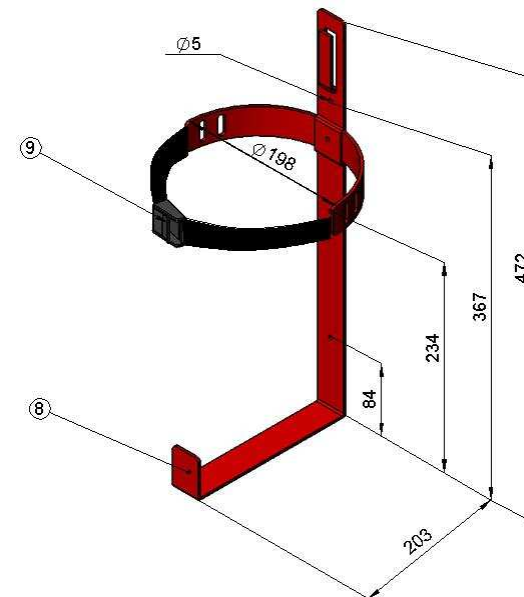
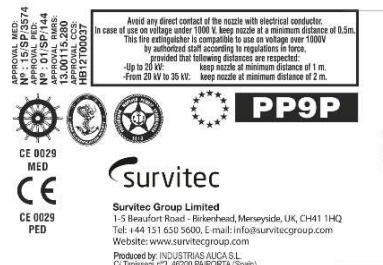
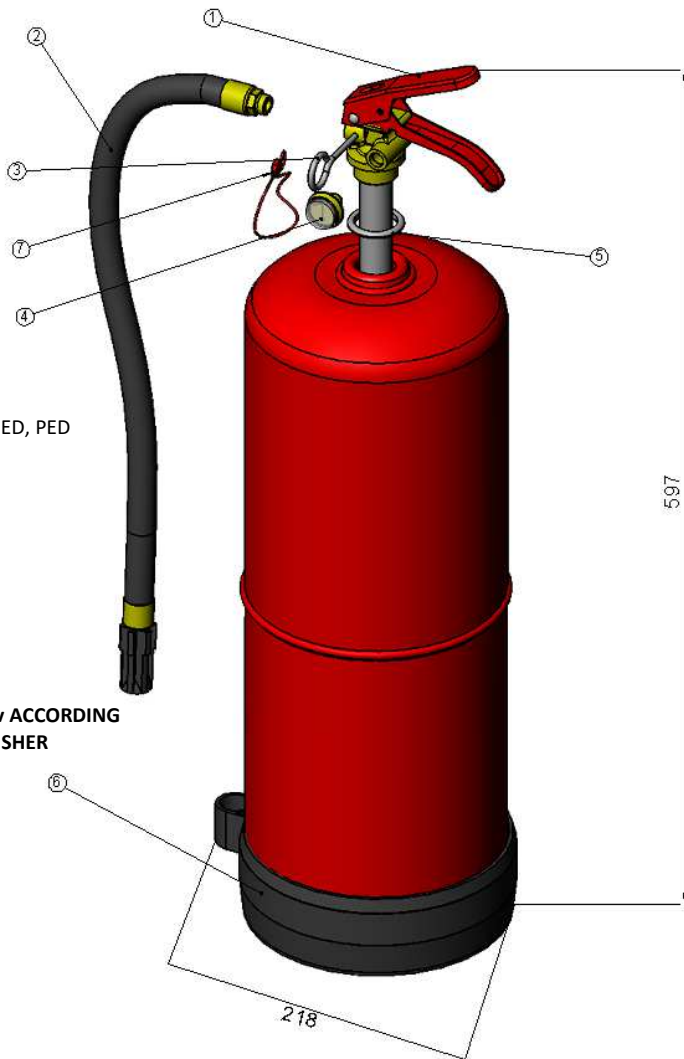
FIRE RATING : 43A 233B
CAPACITY : 9 Kg
MIN DISCHARGE TIME : 26 s
DISCHARGE RANGE : 4.5 m
TEST PRESSURE : 24 bar
WORKING PRESSURE : 13.5 bar
CLASS : A B C
DESIGN STANDARD : APPROVAL EN3, MED, PED
CCS; RMRS

WEIGHT:

EMPTY : 4.4 kg
FULL : 13.5 kg

TEMPERATURE OF USE : -20°C and +60°C

USE ON VOLTAGE OVER 1000V. UP TO 35 Kv ACCORDING TO LABEL INSTRUCTION ON FIRE EXTINGUISHER



TYPE	PROD NO
EXTINGUISHER PP9P WITHOUT MARINE BRACKET	739508

ITEM	NO OF	DESCRIPTION	PROD NO
10	1	ABC POWDER 9KG	668293
9	1	Strap F/M. bracket F/PP12P/PP9P 5 pck	756387
8	1	M. bracket W/Strap F/PP9P	739516
7	1	Wire and seal F/All ext. 90pck	667600
6	1	Base prot. F/PP9P	756452
5	1	Valve seal F/PP6P/PP9P/PP12P/PP25P 10 pck	674275
4	1	Gauge F/PP3P/PP6P/PP9P/PP12P/PP25P 5pck	674234
3	1	Safety pin F/PP6P/PP9P/PP12P/PP25P 10pck	674259
2	1	Hose with nozzle F/PP9P	756429
1	1	Valve with syphon tube F/PP9P	756395